

## Miniwell Tray (60well, 72well)

### 1. Description

Miniwell Tray are used in a broad spectrum of applications, including cloning experiments, sample incubations, and in tissue culture based analytical systems. Miniwell Trays are designed with excellent cell adhesion and stackable design, which takes up minimal space in the freezer and incubator.

### 2. Features

- ❖ Terasaki format plate
- ❖ Stackable
- ❖ Used in serotyping, micro-cytotoxicity and cell cloning studies
- ❖ Virgin, high clarity polystyrene (Excellent optical)
- ❖ Surface treatment and sterilized (Cat. No. 30060, 30072)

### 3. Functional Test

- ❖ Cytotoxicity
- ❖ Non-Pyrogenic
- ❖ RNase/DNase Free
- ❖ Human-DNA Free

### 4. Product Range

Cat. No.	Well type	Material	Dimension l x w (mm)	Working Volume (µl)	Surface Treatment	Sterile	Packaging
30060	60	PS	83.00 * 58.00	10.00	+	+	10 / 100
31060	60	PS	83.00 * 58.00	10.00	-	-	10 / 100
30072	72	PS	83.00 * 58.00	10.00	+	+	10 / 100
31072	72	PS	83.00 * 58.00	10.00	-	-	10 / 100

### 5. Certification

SPL Life Sciences hereby certifies that the product identified above, inspected to be in compliance with product quality specification and requirements as documented in our ISO 9001:2015 Quality Management System (K-QA-Q031478) in Korea.

## 6. Product Photographs



## 7. Specifications &amp; Technical Drawing

## (1) Miniwell Tray (# 30060, 31060)

## - Specifications

Dimensions		Well type	Materials	Working Volume ( $\mu$ l)	SterilesPackaging
Length:	58.00 mm	60	PS	10.00	<ul style="list-style-type: none"> <li>▪ Pieces/Sleeve: 10</li> <li>▪ Pieces/Case: 100</li> </ul>
Width:	83.00 mm				
Height:	8.00 mm				

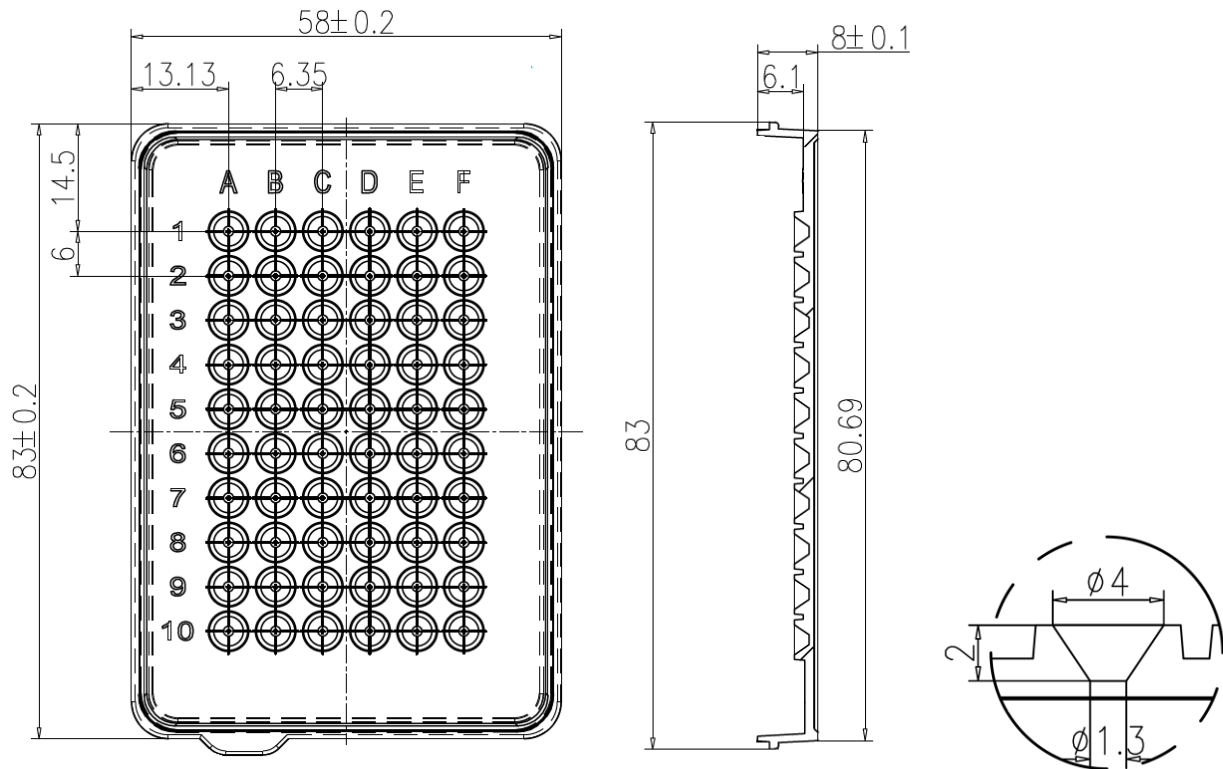
## (2) Miniwell Tray (#30072, 31072)

## - Specifications

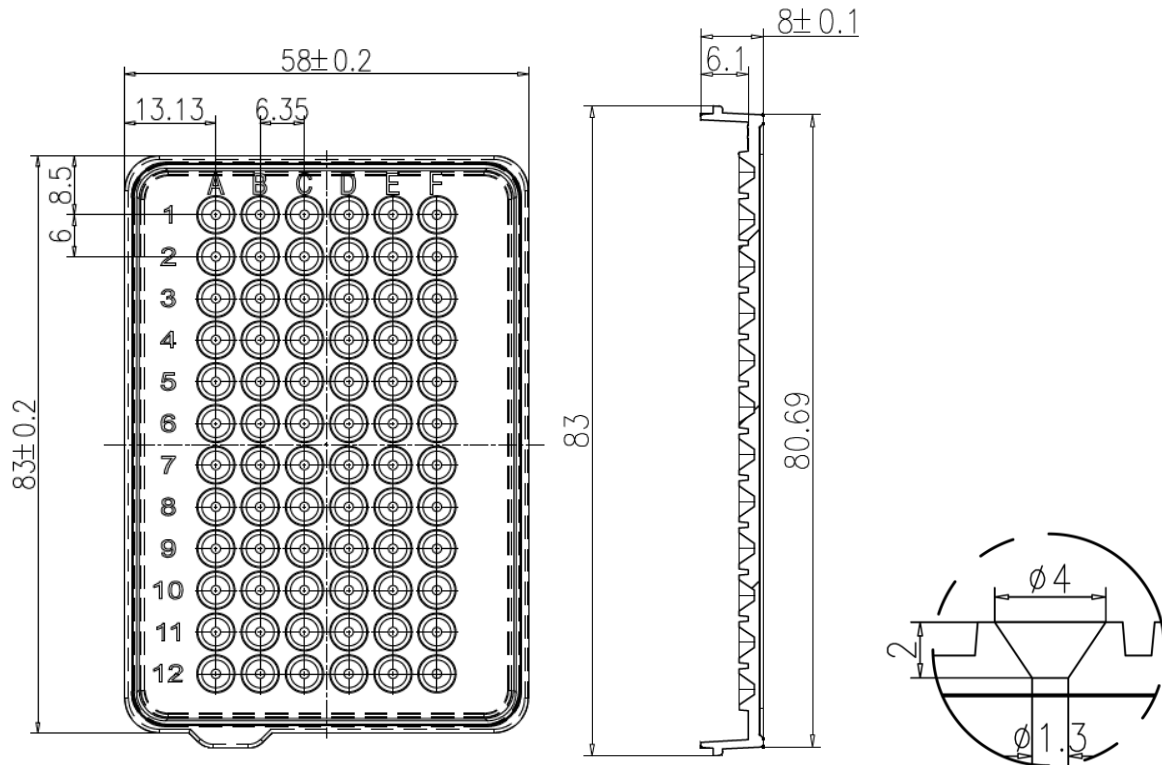
Dimensions		Well type	Materials	Working Volume ( $\mu$ l)	SterilesPackaging
Length:	58.00 mm	72	PS	10.00	<ul style="list-style-type: none"> <li>▪ Pieces/Sleeve: 10</li> <li>▪ Pieces/Case: 100</li> </ul>
Width:	83.00 mm				
Height:	8.00 mm				

## - Technical Drawing

Cat. No. 30060, 31060



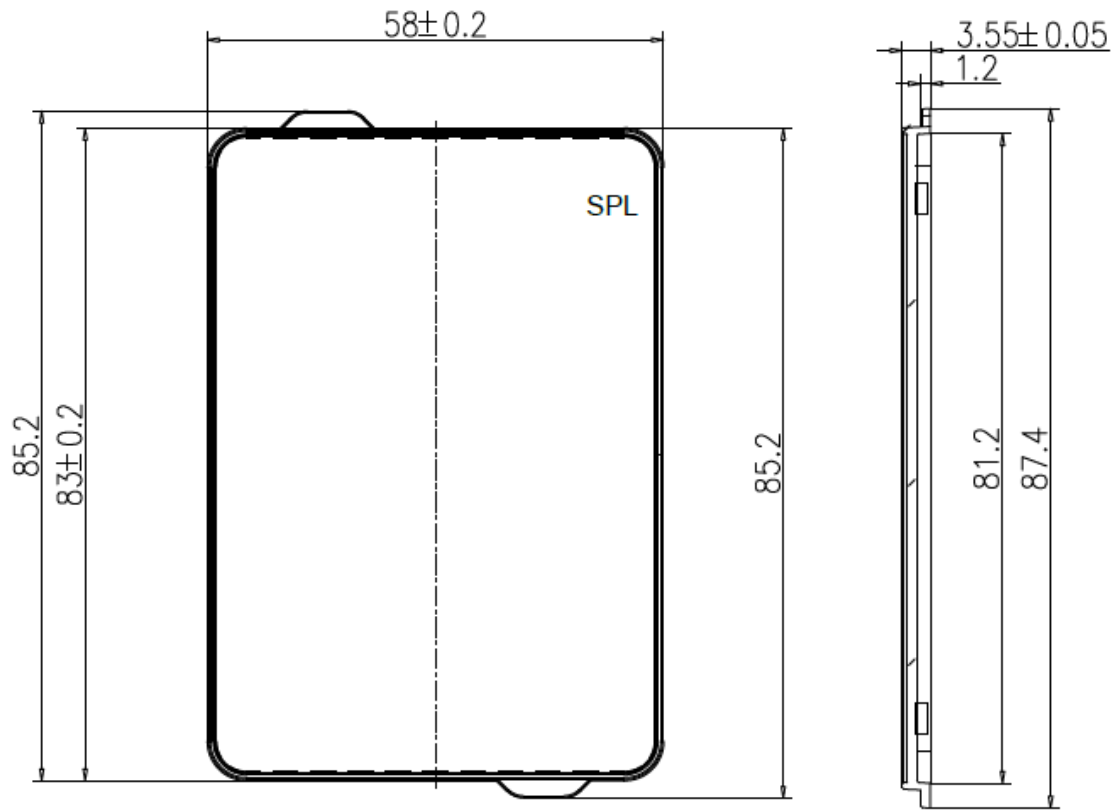
Cat. No. 30072, 31072



SPL-TDS-Miniwell Tray

For Research Use Only. Not intended for use in diagnostic or therapeutic procedures.  
 © SPL Life Sciences Co., Ltd., Version 1, DEC. 9<sup>th</sup>, 2020

Cat. No. 30060, 30072, 31060, 31072



[www.spllifesciences.com](http://www.spllifesciences.com)

For technical assistance, contact SPL R&D Center at:

Tel: +82-31-533-4800; Fax: +82-31-533-1430; e-mail: [spl@ispl.co.kr](mailto:spl@ispl.co.kr)

To place an order, contact your local distributor or

Tel: +82-31-533-4800; Fax: +82-31-533-1430; e-mail: [business@ispl.co.kr](mailto:business@ispl.co.kr)

SPL-TDS-Miniwell Tray

For Research Use Only. Not intended for use in diagnostic or therapeutic procedures.  
© SPL Life Sciences Co., Ltd., Version 1, DEC. 9<sup>th</sup>, 2020